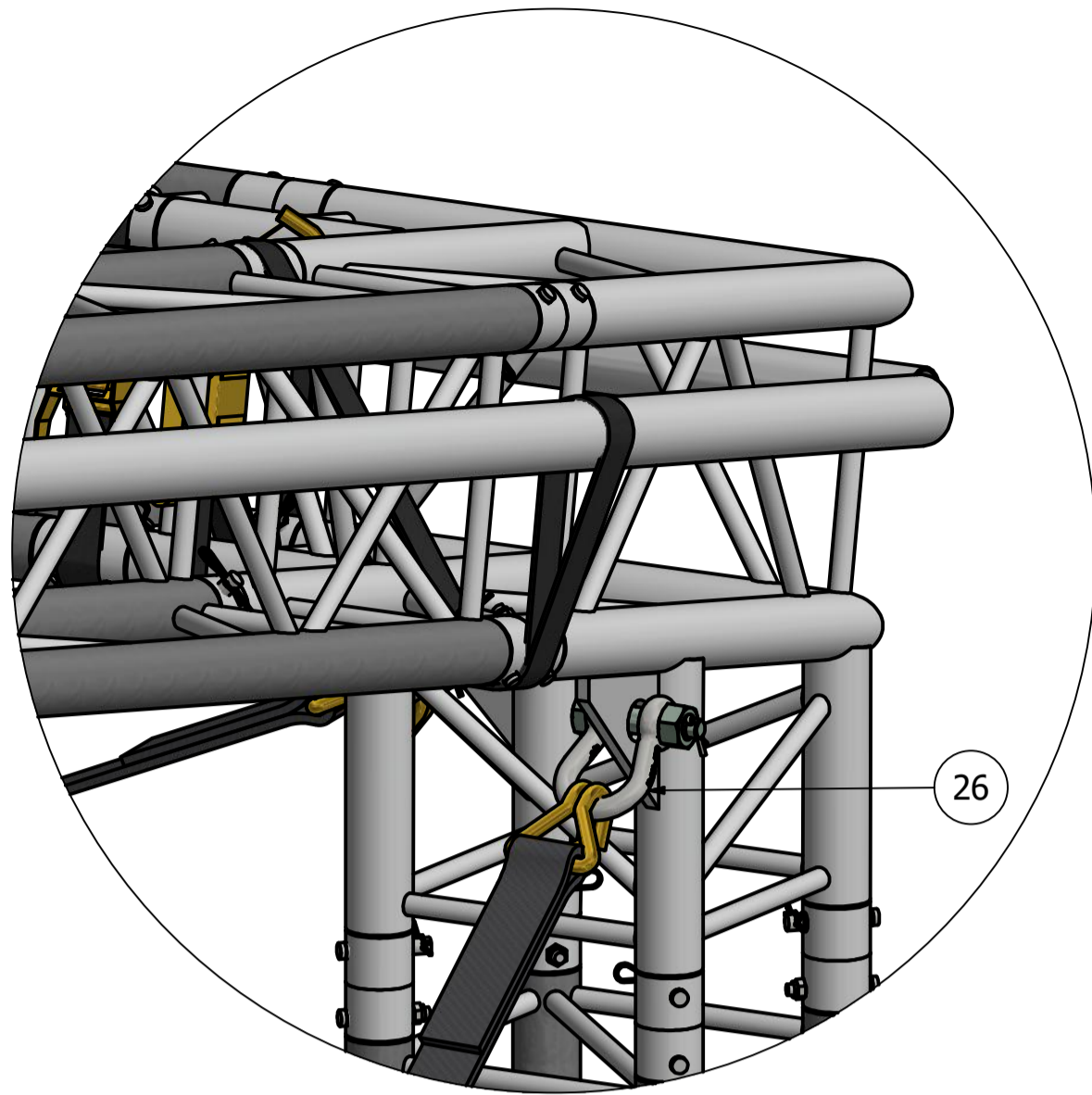
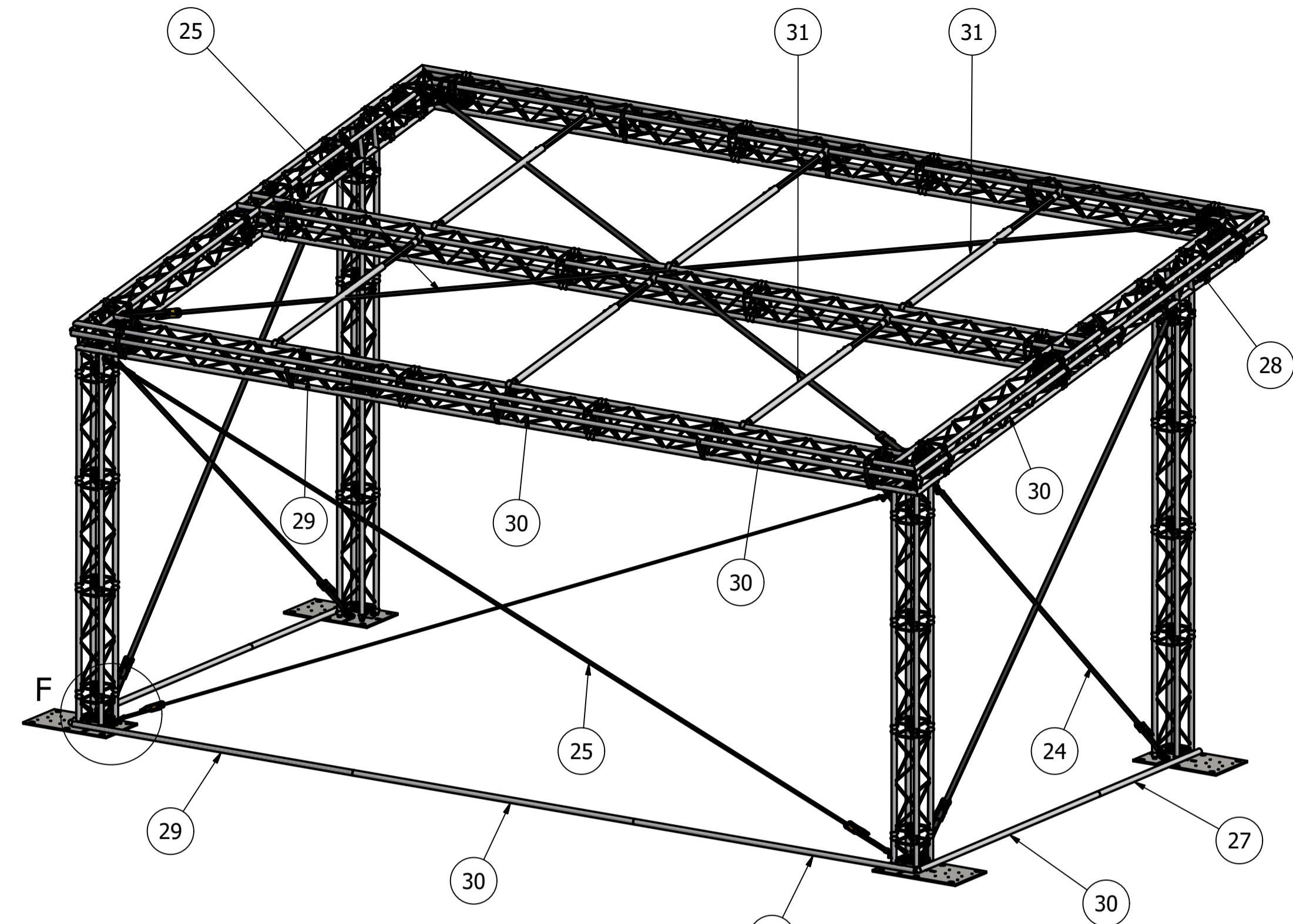
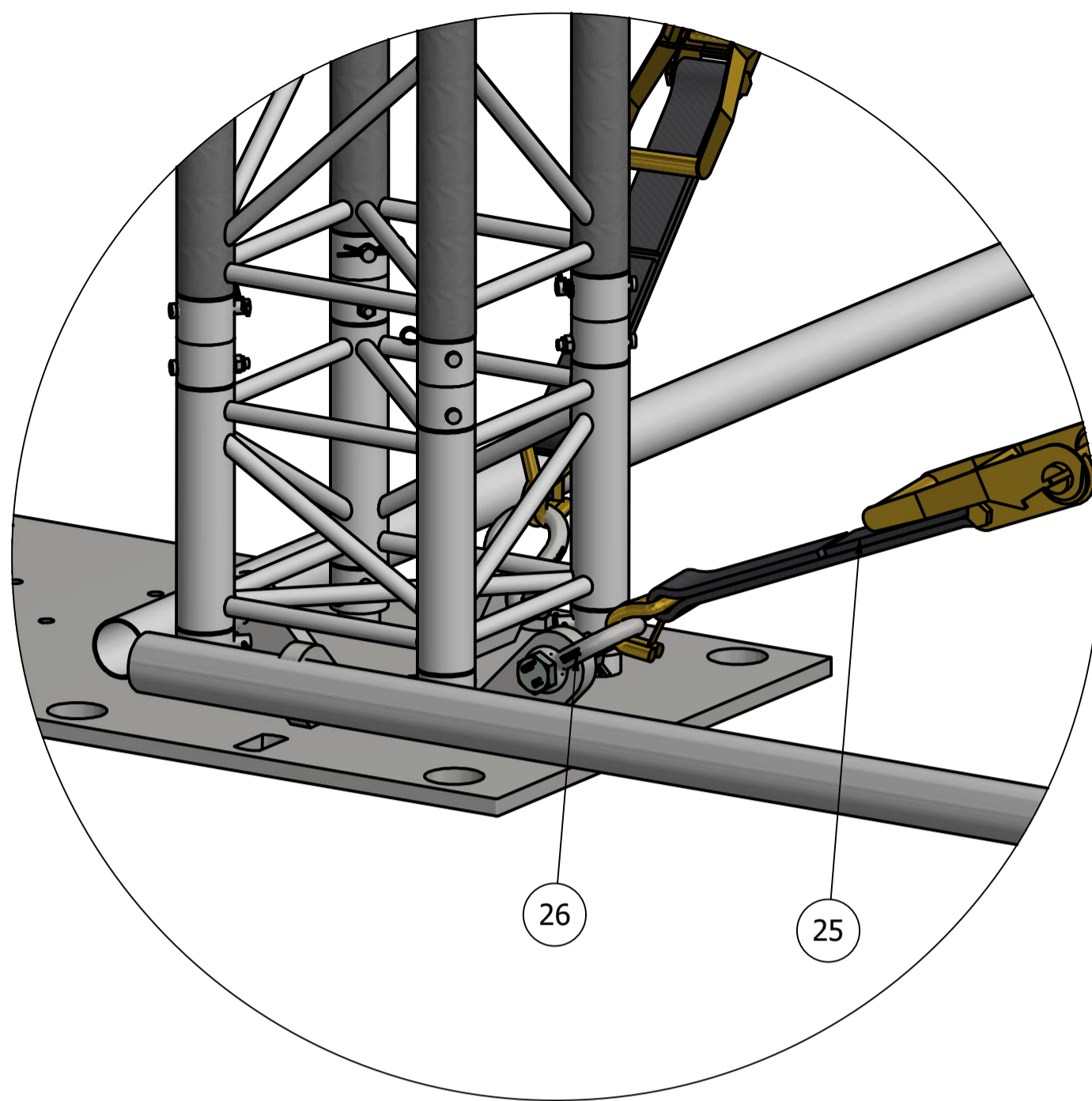


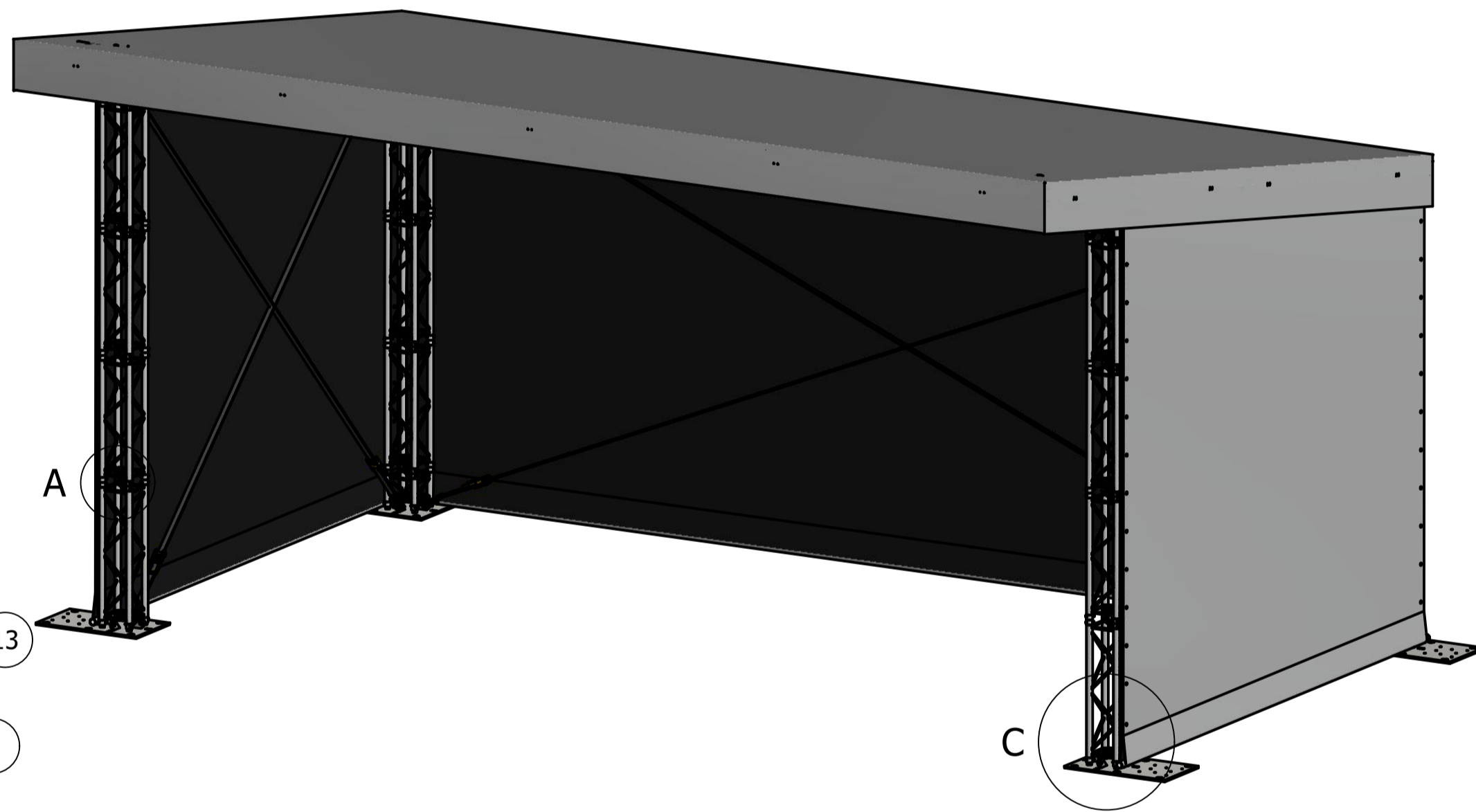
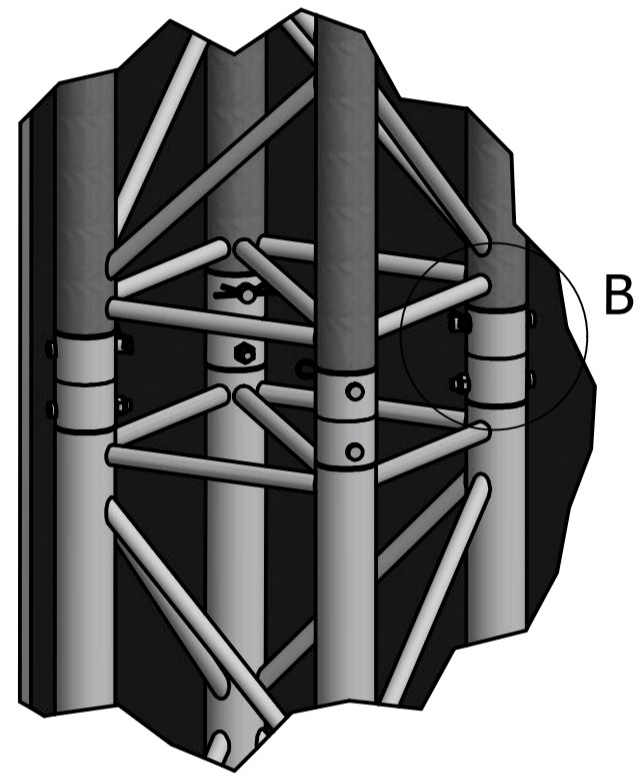
E (1:5)



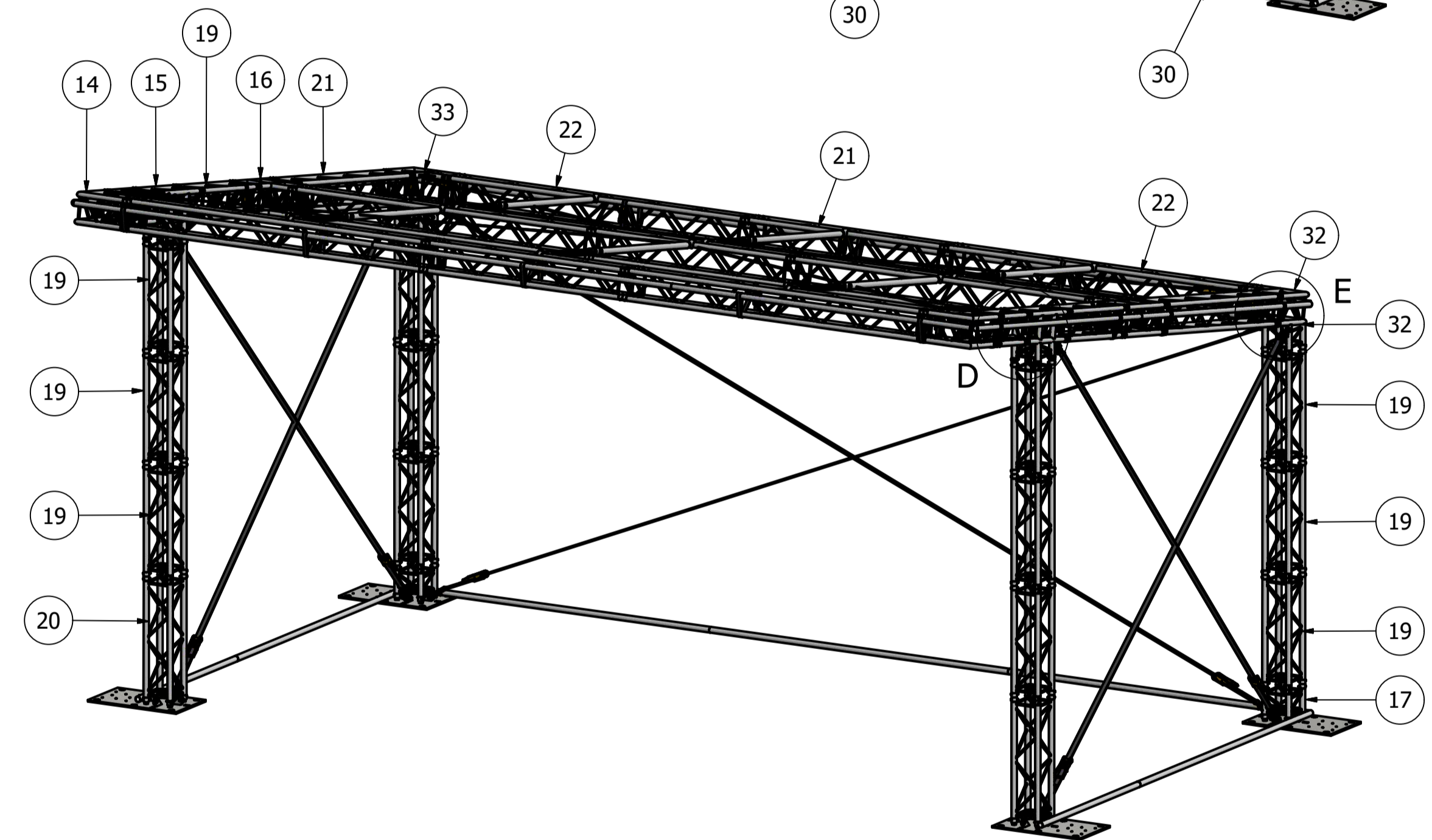
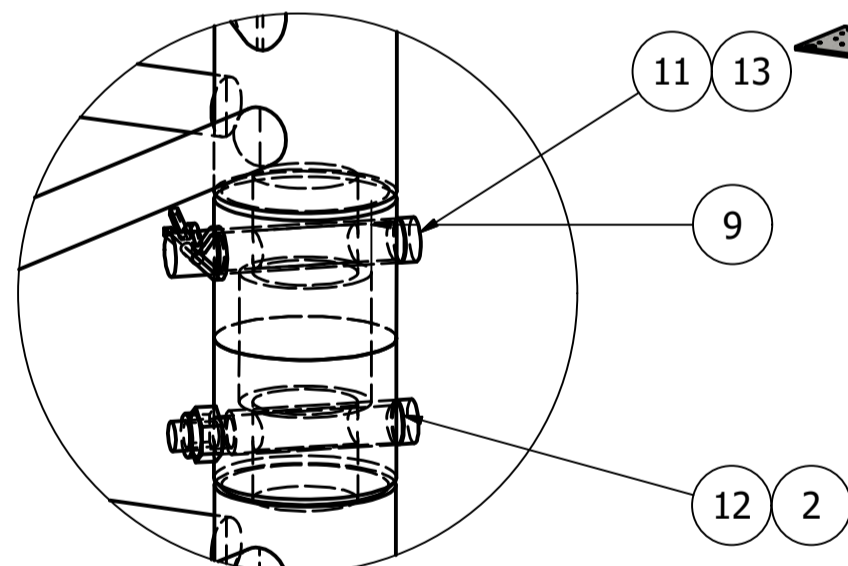
F (1:5)



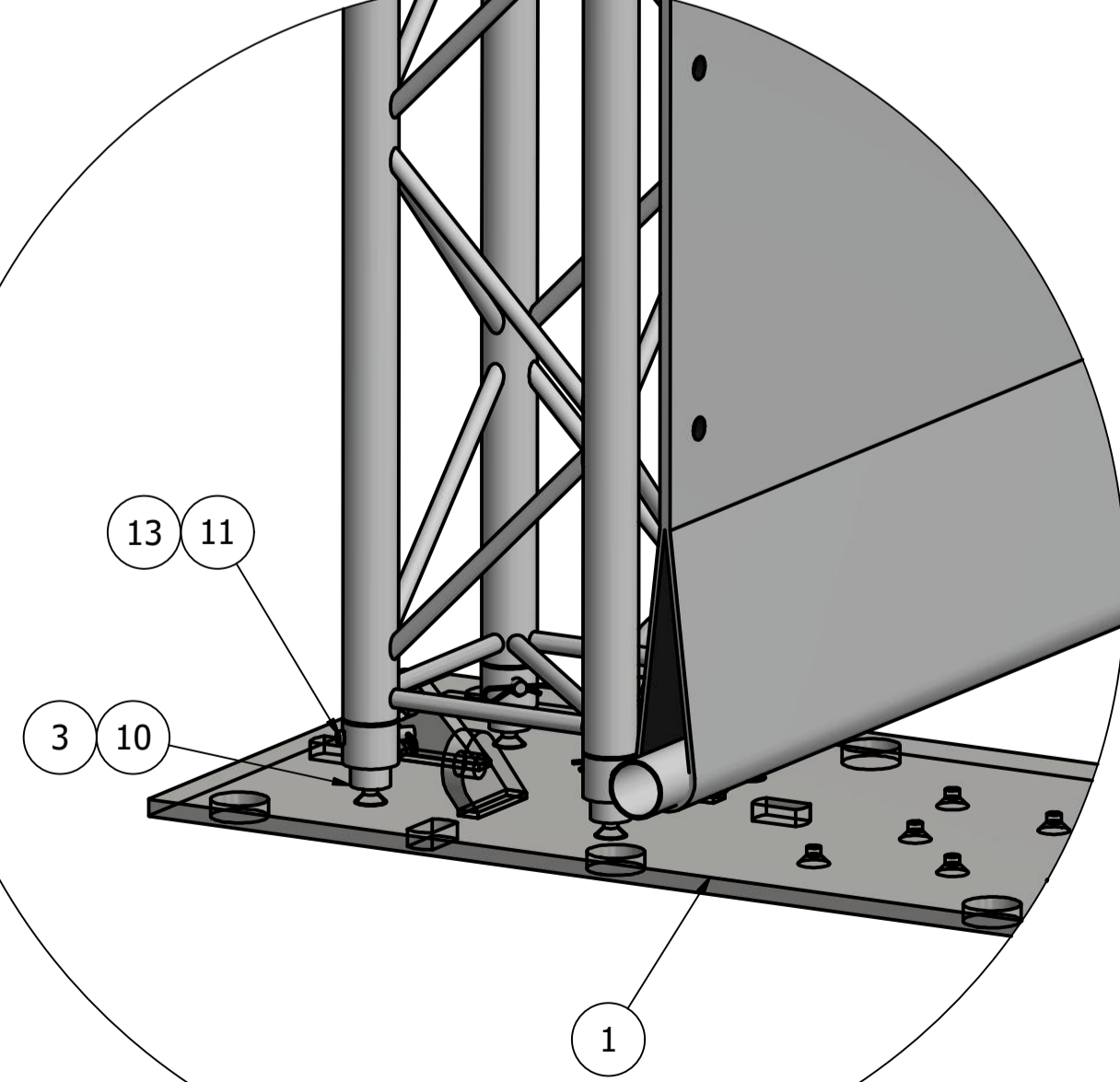
A (1:6)



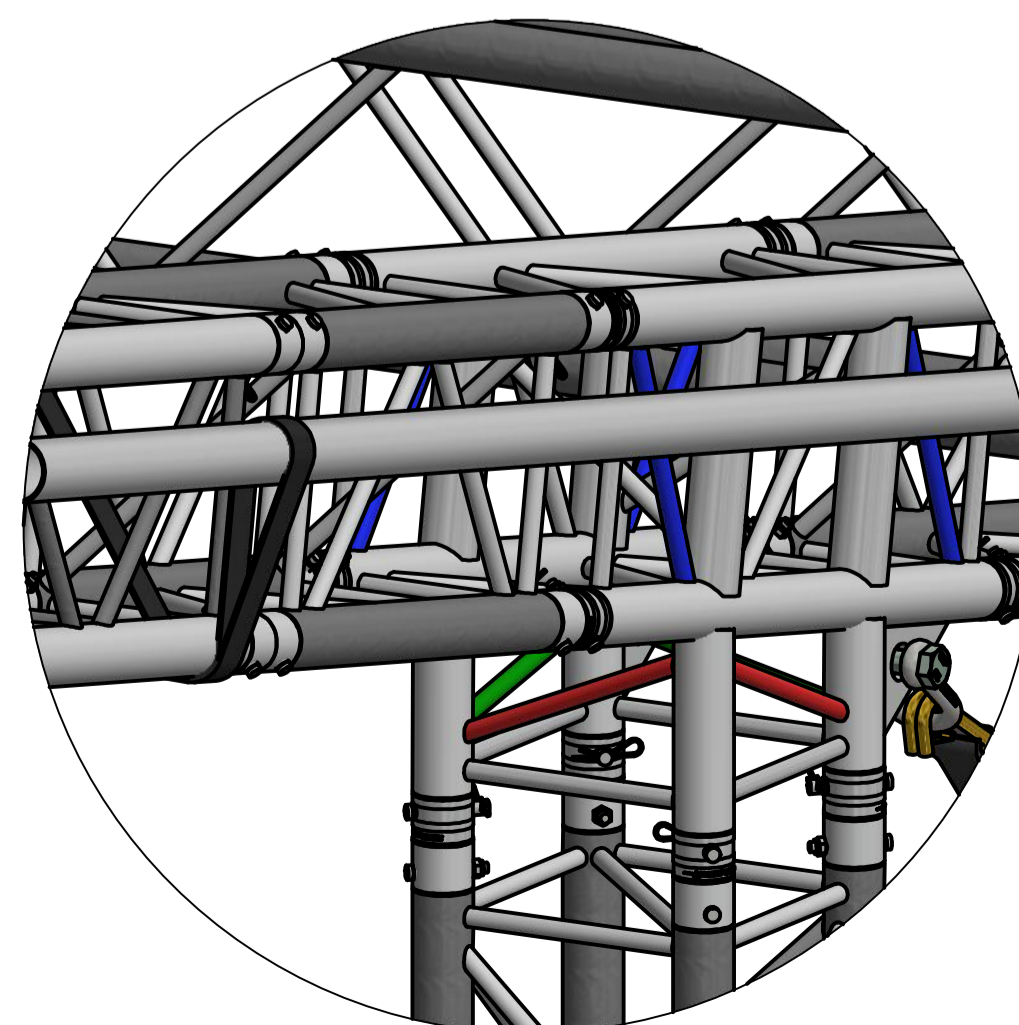
B (1:2)



C (1:6)



D (1:6)



102	2	111540076	SS-2T-200	SOFTSTEEL2 TON WL=200CM BLACK
33	1	111040139	Z-H30V-C3-010/R-SW	SPEC CORNER 100DEG RIGHT+SW-ATT
32	1	111040137	Z-H30V-C3-010/L-SW	SPEC CORNER 100DEG LEFT+SW-ATT
31	6	111550880	T-60-MPT-200/300-ADJ	T60 ADJ 200/300 WITH Q R CLAWS
30	10	111550286	T-51-OE300SP	TUBE 51X2 L=300CM SPIGOTED
29	3	111550285	T-51-OE300OE	TUBE 51X2 L=300 NON SPIGOTED
28	2	111550284	T-51-OE290OE	TUBE 51X2 L=290 NON SPIGOTED
27	2	111550268	T-51-OE170OE	TUBE 51X2 L=170 NON SPIGOTED
26	14	111540052	RI-SH3.2T	SHACKLE 3 2T WITH BOLT/NUT/PIN
25	2	111540401	RA-2T-1000HH	RATCHET SET 2T 0 5+9,5M+H/50MM + SAFETY-CLIP
24	4	111540028	RA-2T-0600HH	RATCHET SET 2T 0 5+5,5M+H/50MM + SAFETY CLIP
23	18	111540341	RA-1T-0200OE	RATCHET ENDL 1T L=200CM/35MM
22	6	111050117	H30V-L300	SQUARE H30 LENGTH 300 CM
21	5	111050106	H30V-L200	SQUARE H30 LENGTH 200 CM
20	2	111051237	H30V-L112,4	SQUARE H30 LENGTH 112,4 CM
19	14	111050094	H30V-L100	SQUARE H30 LENGTH 100 CM
18	2	111050077	H30V-L050	SQUARE H30 LENGTH 50 CM
17	2	111050064	H30V-L029	SQUARE H30 LENGTH 029 CM
16	2	111040033	H30V-C017	SQUARE 30 3-WAY CORNER T-JOINT
15	2	111040598	H30V-C3-025-SW	SPEC CORNER 80DEG + SW-ATT
14	2	111040028	H30V-C003	SQUARE 30 2-WAY CORNER 90DRG
13	176	111200029	CCS6-605	R-SPRING FOR SPIGOT CCS6-603
12	160	111200026	CCS6-604	SPIGOT M8 CCS 600M
11	176	111200025	CCS6-603	SPIGOT CCS 600
10	16	111200023	CCS6-602	COUPLER 600 HALF 19MM-O/M12
9	160	111200019	CCS6-600	COUPLER 600 (30/40-SERIES)
8	1		CAN-MF-TOP-08X06	CANOPY MINI FLAT ROOF TOP 8M X 6M
7	1		CAN-MF-SIDE-6M-SR	CANOPY MINI FLAT ROOF SIDE 6M STAGE RIGHT
6	1		CAN-MF-SIDE-4M-SL	CANOPY MINI FLAT ROOF SIDE 6M STAGE LEFT
5	1		CAN-MF-BACK-8M	CANOPY MINI FLAT ROOF BACKWALL 8M
4	131	111730595	CAN-BUNGY/20-NYLON	NYLON BUNGYCORD L=20CM+HOOK
3	16	144601481	BM-M12X40-IB-CS	BLT M12X40 CNTSNK INBUS
2	160	111520236	BM-M8-SN	NUT M8 SLFLCK DIN985
1	4	111500105	MF-BASE-30-8855	MINI FLAT ROOF BASEPLATE 30 SERIES
ITEM	QTY	ARTICLE NR	CATALOG NR	DESCRIPTION

<p>General Tolerances : ISO 2768 T1mm ISO 2768 T2K EN1090 Surface specifications : ISO 1302</p>	<p>SCALE : 1 : 40</p>	<p>DRAWN BY : B. BOOMSEMA</p>	<p>DATE : 2-3-2021</p>
		<p>RELEASED BY : B. Boomsema</p>	<p>DATE : 14-6-2021</p>
		<p>UNIT MEASURE : mm</p>	<p>WEIGHT : 705,260 kg</p>
		<p>DESCRIPTION : MINI FLAT ROOF 8X6</p>	
		<p>ARTICLE NR :</p>	<p>REVISION</p>
		<p>CATALOG NR : RO-MINI-FLAT08X06</p>	<p>STATUS DRAWING</p>
		<p>FILE NR : 160151671</p>	<p>Released</p>
			<p>SH : 2/2 A1</p>