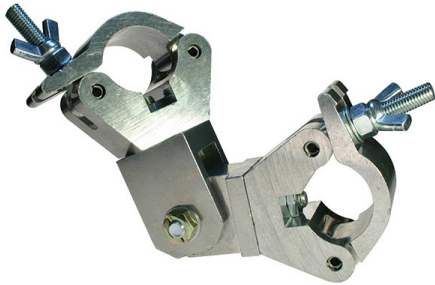




# Pivot Hinges

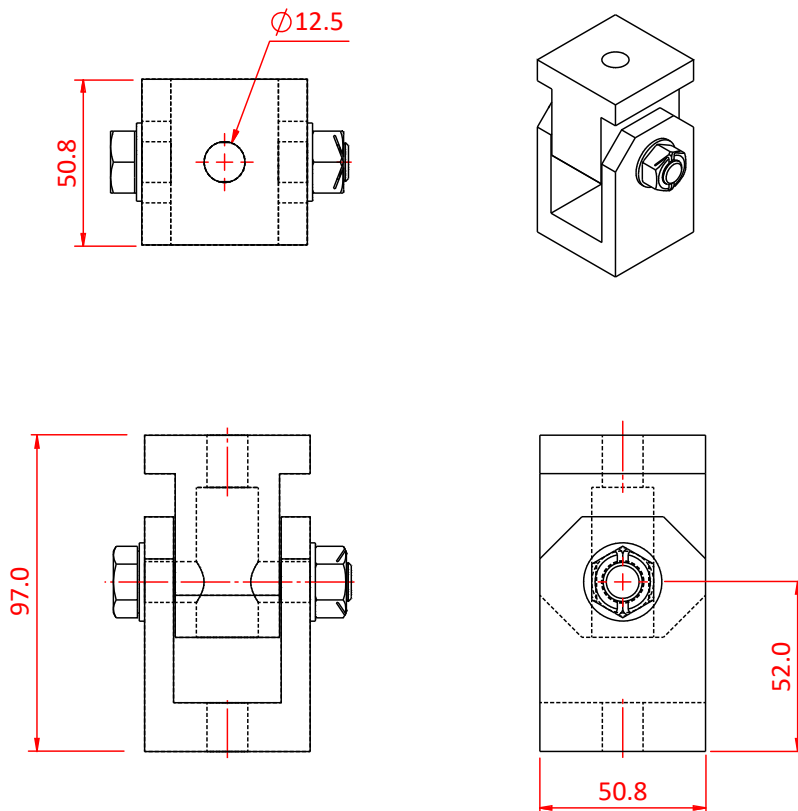
## Product Data Sheet



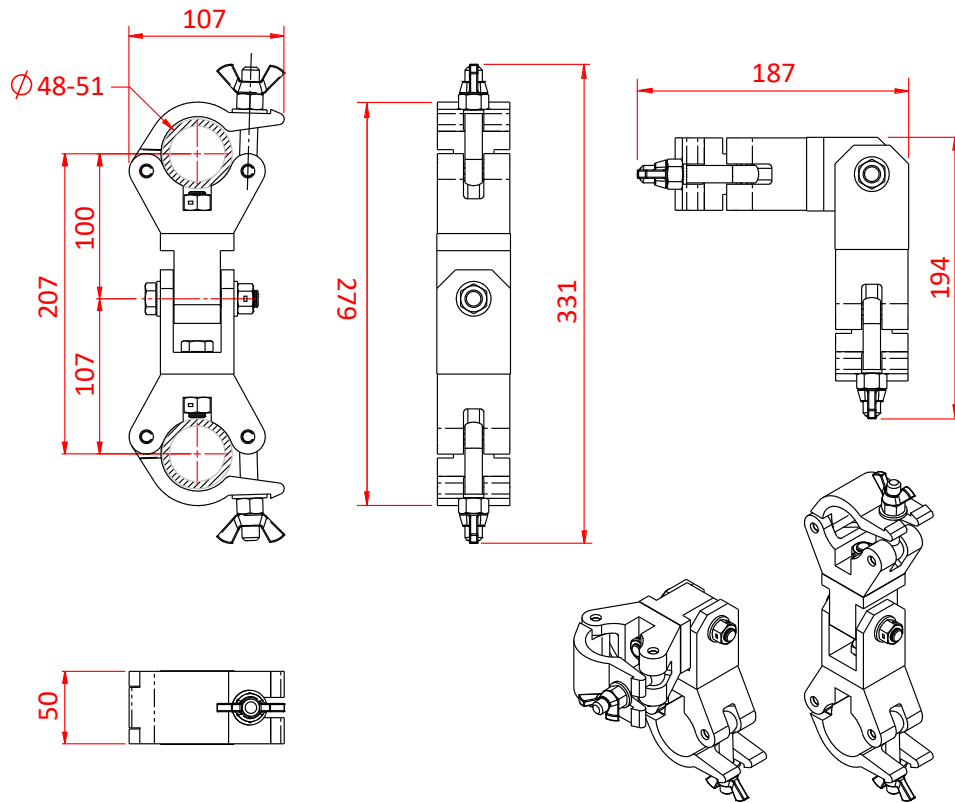
A Pivot Hinge Assembly	
<b>Part Nos</b>	T57249 - Pivot Hinge Assembly T57250 - Pivot Hinge Assembly with 2 x T57000 clamps
<b>Materials</b>	Main Body - AW6082 T6 Aluminium Fixings - Grade 8.8
<b>WLL</b>	750Kg
<b>Safety Factor</b>	5:1
<b>Weight</b>	0.57Kg

T57249

Dimensions in mm

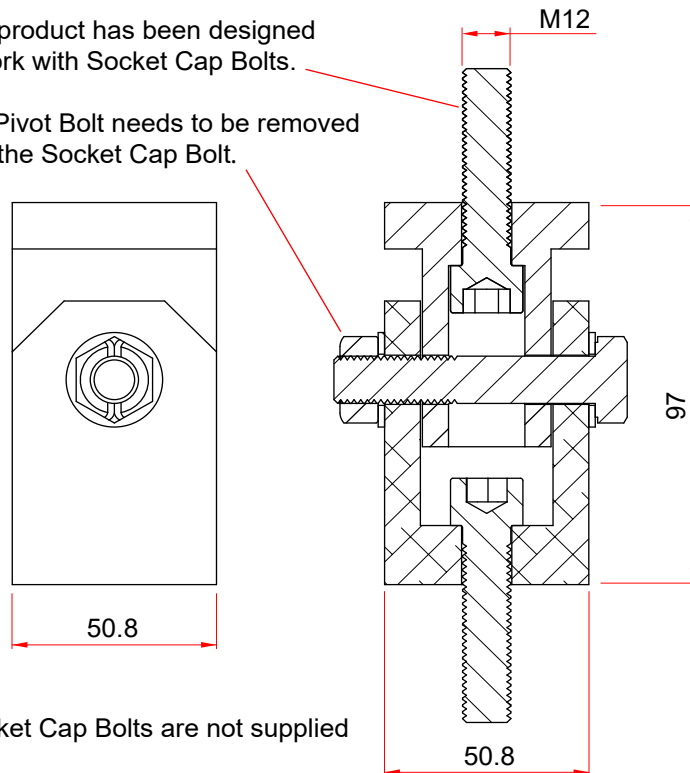


# T57250



This product has been designed to work with Socket Cap Bolts.

The Pivot Bolt needs to be removed to fit the Socket Cap Bolt.



Socket Cap Bolts are not supplied