

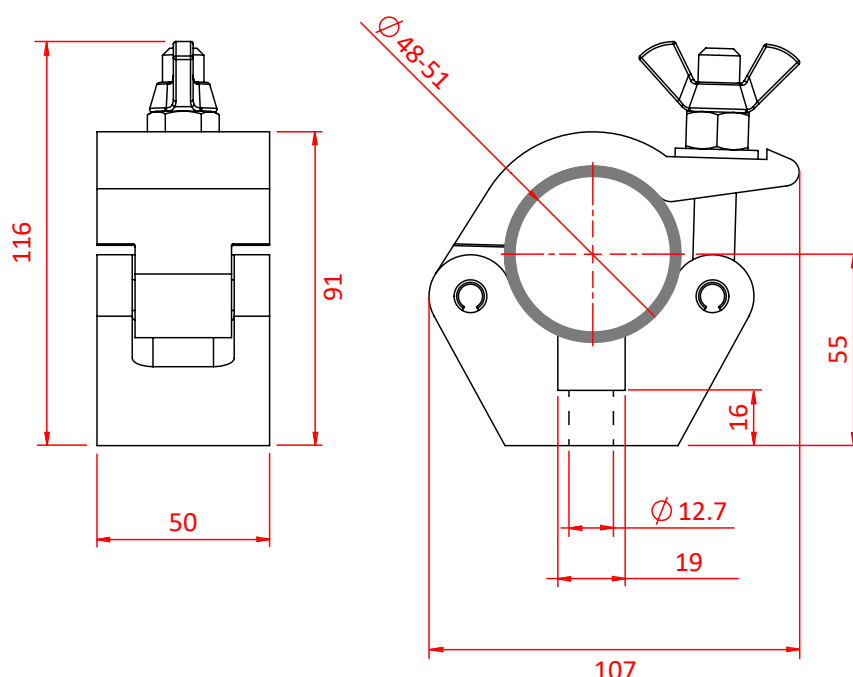


Product Data Sheet

Standard Doughty Clamp



A high tensile extruded half coupler Slotted to hold captive an M12 Nut or Bolt	
Part Nos	T57000 - Polished T57010 - Powder Painted Satin Black
Tube Diameter	Ø48 - 51mm (1.89" - 2.01")
Materials	Main Body - AW6082 T6 Aluminium Roll Pins - Stainless Steel Eyebolt Assy - Grade 8.8
Max Tightening Torque	30Nm
Fixings	To be used with M12 Fixings
WLL	750Kg
Weight	0.63Kg (1.39 lbs)
Factor of Safety	5:1
Approval	TÜV Approved



Dimensions in mm