

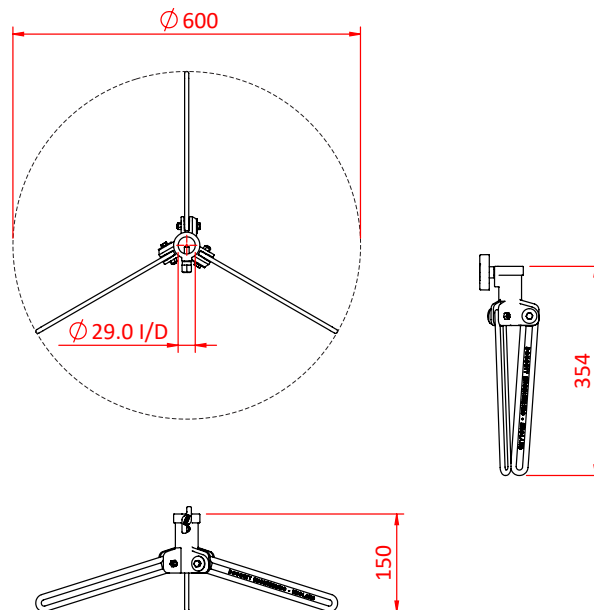


Product Data Sheet

Nipper Stand



A low folding stand with 29mm Receiver.	
Part Nos	T54100
Receiver	29mm
Finish	Satin Black Powder Paint
Materials	Aluminium
WLL	10Kg
Weight	1.28Kg
Safety Factor	5:1



DIMENSIONS ARE A GUIDE ONLY AND MAY VARY

Doughty Engineering Ltd - Crow Arch Lane, Ringwood, Hampshire, BH24 1NZ, UK
+44 (0) 1425 478961, sales@doughty-engineering.co.uk - www.doughty-engineering.co.uk