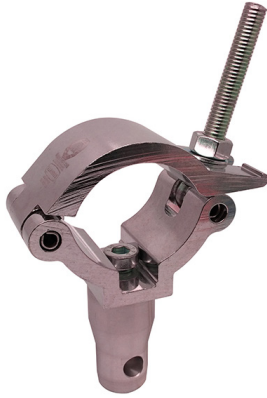


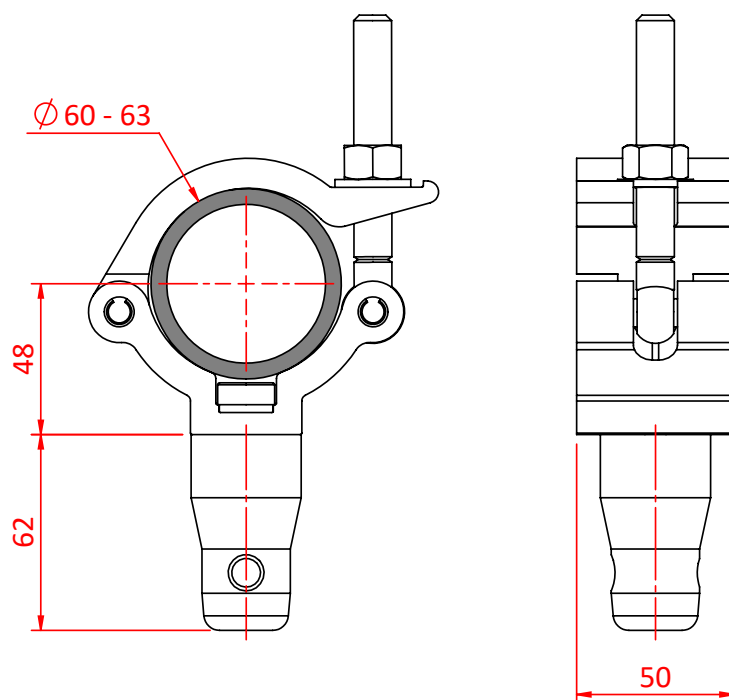


Mammoth Clamp with Half Connector

Product Data Sheet



A Mammoth Clamp fitted with a Half Connector to work with Modular Rigging components.	
Part Nos	T45820 - Polished T45821 - Powder Painted Satin Black
Tube Diameter	Ø60 - 63mm
Materials	Main Body - AW6082 T6 Aluminium Roll Pins - Stainless Steel Eyebolt Assy - Grade 8.8
Max Tightening Torque	30Nm
Fixings	Aluminium Half Connector
WLL	100Kg Vertical Load
Weight	0.58Kg
Factor of Safety	5:1



Dimensions in mm