

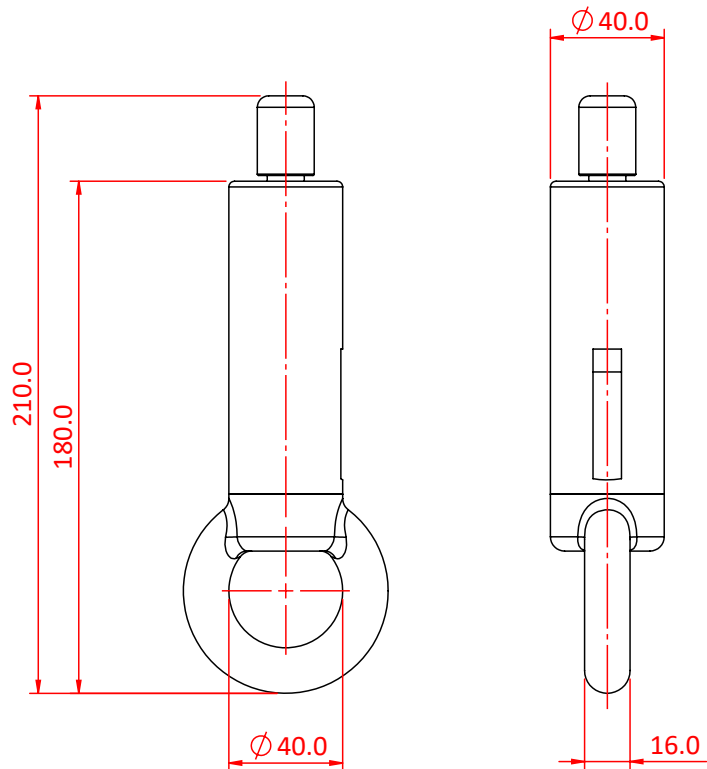


# 80SV III with Ring - Side Exit Wire

## Product Data Sheet



| A Type 80 Cable Holder with Side Exit Wire |                                      |
|--|--------------------------------------|
| Part Nos                                   | T37686                               |
| Holder Diameter                            | Ø40mm                                |
| Ring Diameter                              | Ø40mm - Inner<br>Ø72mm - Outer       |
| Wire Diameter                              | Ø6mm & Ø8mm                          |
| WLL  | 6mm Wire - 135Kg<br>8mm Wire - 240Kg |
| Weight                                     | 0.88Kg                               |



Dimensions in mm

DIMENSIONS ARE A GUIDE ONLY AND MAY VARY