



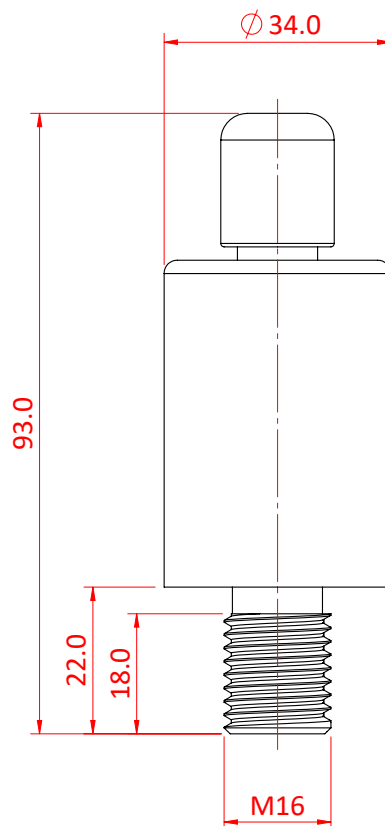
# 66SV II Cable Holder with Male Thread

Product Data Sheet



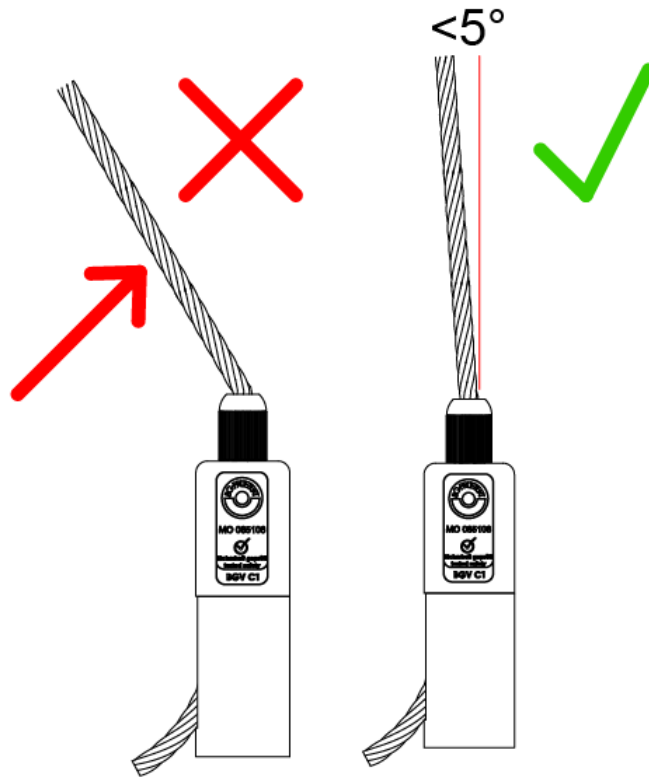
A Type 66 Cable Holder with M16 Male Thread	
<b>Part Nos</b>	T37660
<b>Holder Diameter</b>	Ø34mm
<b>Thread</b>	M16
<b>Thread Length</b>	22mm
<b>WLL</b>	6mm Wire - 135Kg 6.35mm Wire (1/4") - 150Kg
<b>Weight</b>	0.12Kg

Dimensions in mm

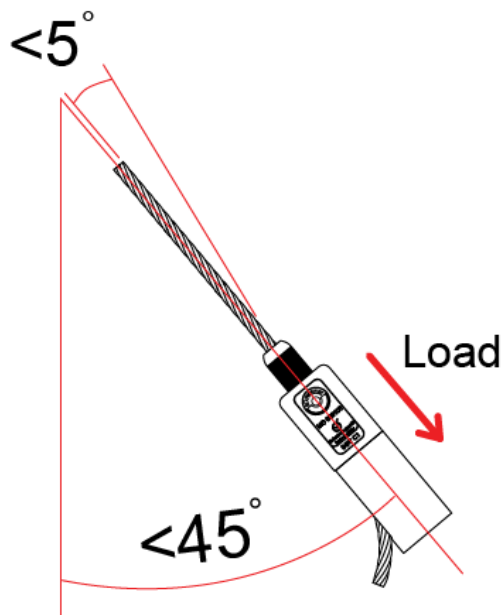


DIMENSIONS ARE A GUIDE ONLY AND MAY VARY

Doughty Engineering Ltd - Crow Arch Lane, Ringwood, Hampshire, BH24 1NZ, UK  
+44 (0) 1425 478961, sales@doughty-engineering.co.uk - www.doughty-engineering.co.uk



The wire rope must exit in line with the Cable Holder.  
The maximum angle allowed is 5 degrees.



Reutlinger Cable Holders can be used  
up to an angle of 45 degrees.

The wire rope must not exceed 5 degrees  
when exiting the cable holder.