



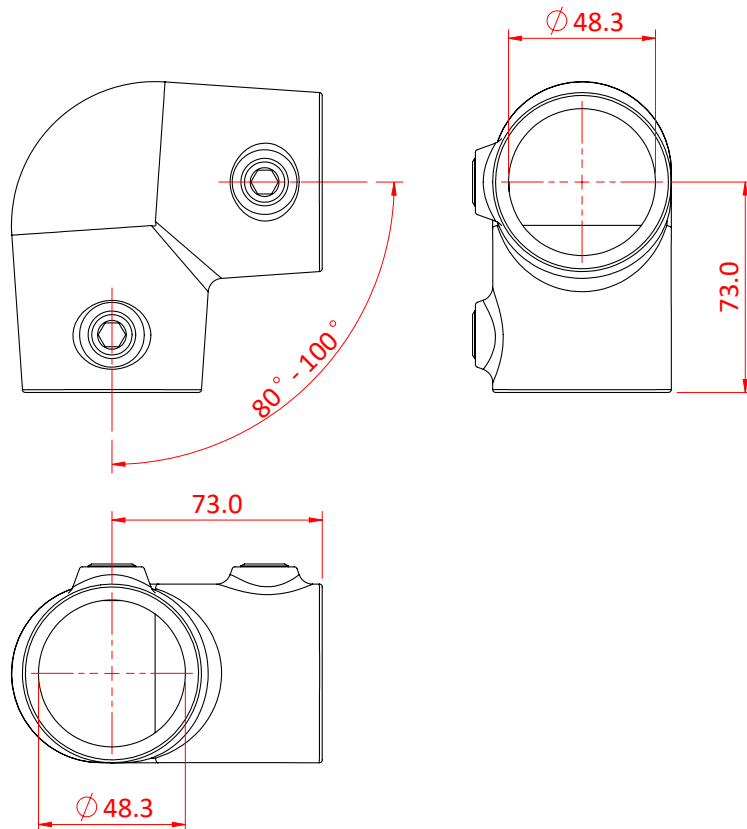
Product Data Sheet

# Pipeclamp Angled Elbow 4-10 Degree



A galvanised steel Pipe Clamp fitting.	
<b>Part Nos</b>	T17629 - Galvanised
<b>Tube Diameter</b>	Ø48.3mm
<b>Materials</b>	Malleable Iron Fixings - Grade 8.8 BZP
<b>Max Tightening</b>	40Nm
<b>WLL</b>	N/A
<b>Weight</b>	0.81Kg

Dimensions in mm



DIMENSIONS ARE A GUIDE ONLY AND MAY VARY