

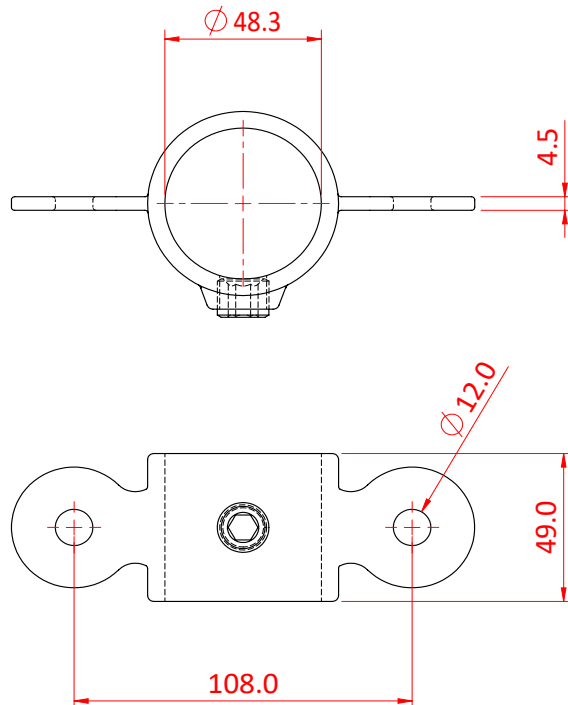


Pipe Clamp Male Double Swivel Combo

Product Data Sheet



A galvanised steel Pipe Clamp fitting.	
Part Nos	T16700M - Galvanised
Tube Diameter	Ø48.3mm
Materials	Malleable Iron Fixings - Grade 8.8 BZP
Max Tightening Torque	40Nm
WLL	N/A
Weight	1.72Kg



DIMENSIONS ARE A GUIDE ONLY AND MAY VARY