



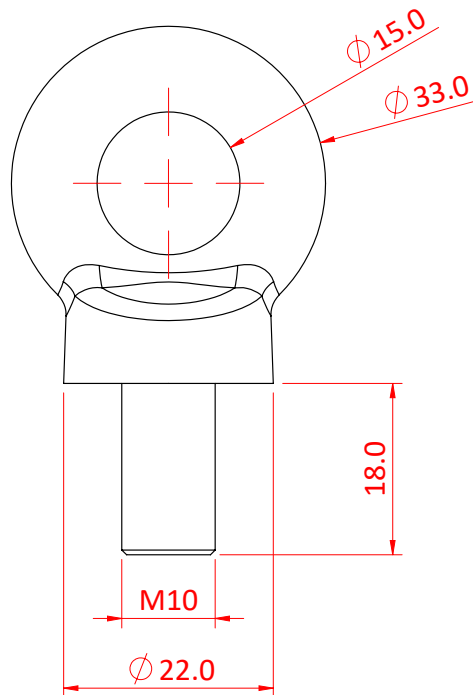
Product Data Sheet

M10 Eye Bolt



A Steel Eye Bolt	
Part Nos	T39800
Thread	M10
Material	C15E
Finish	BZP
WLL	250Kg
Conforms to	DIN 580

Dimensions in mm



DIMENSIONS ARE A GUIDE ONLY AND MAY VARY